

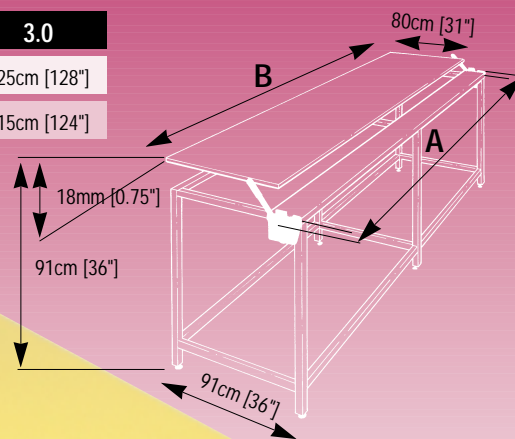
KEENCUT

THE WORLD'S FINEST CUTTING MACHINES

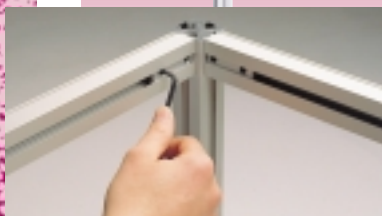
LARGE FORMAT CUTTING BENCH

Essential equipment for every Graphics studio and Signmaking workshop

SIZES	1.0	1.5	2.0	2.5	3.0
A	125cm [49"]	175cm [69"]	225cm [88"]	275cm [108"]	325cm [128"]
B	115cm [45"]	165cm [65"]	215cm [84.50"]	265cm [104"]	315cm [124"]



big
BENCH



The combination of the BIG bench with the choice of Keencut's Javelin or Practik cutters creates the ultimate precision cutting table. The stability of the BIG bench with individual level adjustment on each leg provides a firm and flat work surface to ensure extreme accuracy and the integral 'Lift and Hold' mechanism enables the largest work to be easily aligned and trimmed singlehanded.

The Javelin or Practik can be lifted and stored safely on a wall bracket if the table is needed for other tasks and re-installation is simple using the precise built in location devices and no tools.

The aluminium table edge extrusion incorporates a cutting base with a narrow groove to accept the blade tip when cutting, no need for expensive self healing cutting mats. A full length silicon rubber grip strip mounted in the surface of the table edge ensures all work is held perfectly in place while cutting and protects the most sensitive surfaces.



The edge of the table extrusion accepts optional clip on support arms to increase the effective working area just when it is needed.

Supplied flat-packed, self assembly is simple and as part of Keencut's 'Proteus' range of work-place equipment the BIG bench can be extended and added to at any time.

Cutter & Worktop not included

An accurate full length metric/ imperial measuring scale is fitted as standard equipment.

Guarantees

- 5 year comprehensive guarantee
- 30 day, no quibble, money back guarantee

KEENCUT
graphics