

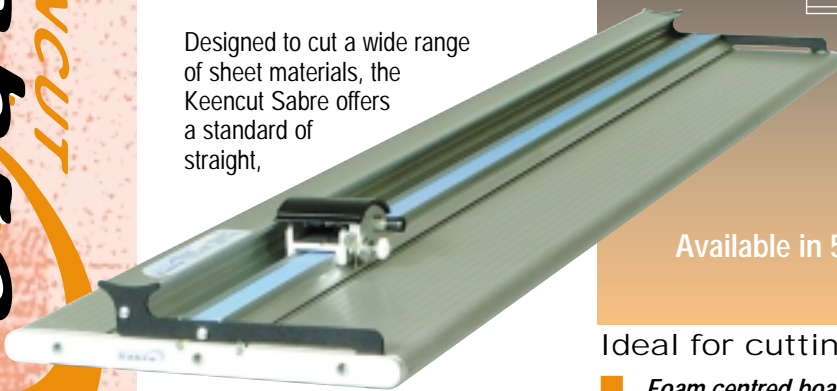
KEENCUT

THE WORLD'S FINEST CUTTING MACHINES

GENERAL PURPOSE CUTTER

KEENCUT
Sabre
GENERAL PURPOSE CUTTER

Designed to cut a wide range of sheet materials, the Keencut Sabre offers a standard of straight,

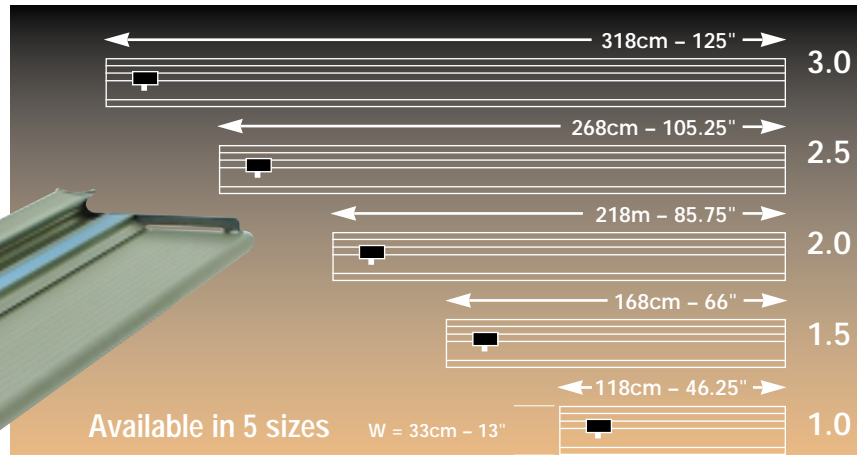


square and clean cutting that is impossible to achieve with a craft knife and straight edge. This safe and simple no nonsense cutter includes blade depth adjustment and features a head which safely retracts the blade when not in use.

The innovative hinge and lift arm mechanism not only makes it possible to cut materials which are longer than the length of the cutter, it allows the Sabre to accept materials up to 13mm (0.5")* without affecting either the line or angle of cut, the latter always remaining perfectly vertical.

Superbly styled, the extruded and silver anodised aluminium base incorporates a narrow groove to accept the blade tip when cutting. A full length silicon rubber grip strip mounted in the surface of the base and two more on the underside of the cutter bar ensures all work is held perfectly in place while cutting and provides protection for even the most sensitive surfaces.

Efficiently engineered for volume production, the Sabre embodies the highest standards of design excellence combined with outstanding value for money. The patented linear bearings have been test run under load for 1600 km (1000 miles) with the result that they are guaranteed for 20 years.



Ideal for cutting

- **Foam centred board up to 10mm (0.4") thick *(up to 13mm (0.5") using optional XR Blade)**
- **PVC Foamboard up to 6mm (0.25") thick**
- **Honeycomb and corrugated plastics**
- **Vinyl and plastic film**
- **Cardboard**
- **Corrugated cardboard**

Optional Accessories

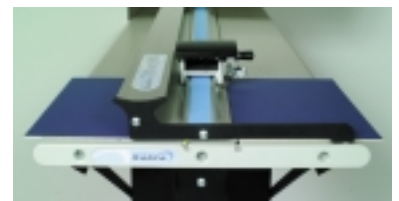
- **Squaring/Measuring arm**
- **Waste catcher**
- **Roll holder**
- **Stand**



* optional stand

Guarantees

- 5 year comprehensive guarantee
- 20 year free replacement guarantee on all bearings
- 30 day, no quibble, money back guarantee



Standard blades

■ NB: For superb precision cutting of thinner materials, twin, long life cutting wheels make Keencut Technic the perfect alternative choice.